

PREMIER RETRACTABLE

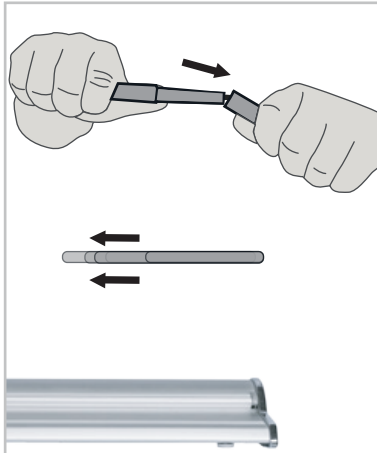
Assembly Instructions

STEP 1



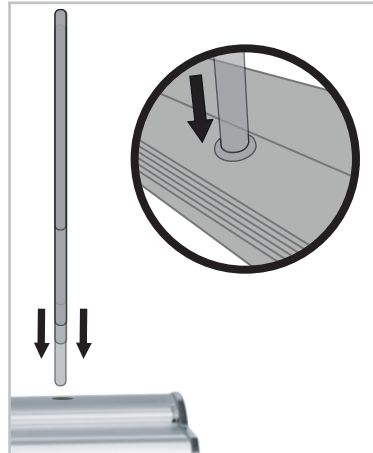
Place base on the ground flat side down.

STEP 2



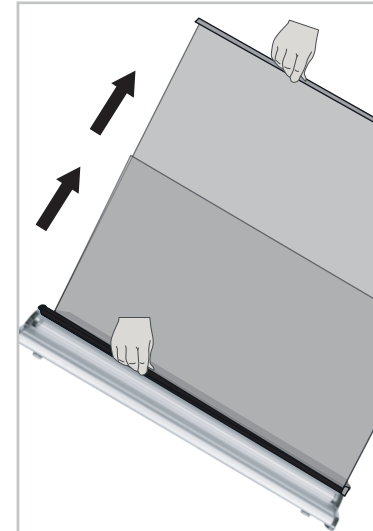
Connect the pole sections together. (The hooked end corresponds to the top and the round end corresponds to the bottom base.)

STEP 3



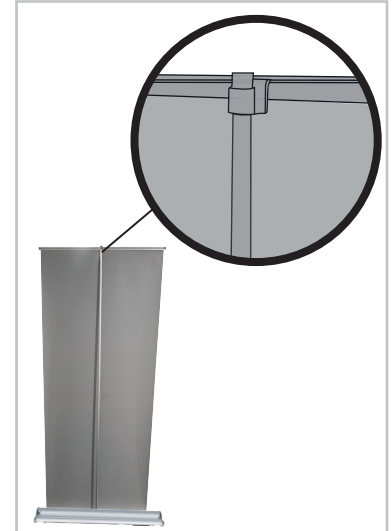
Insert pole into the hole on the base.

STEP 4



Unravel the banner out of the base by tilting the unit backwards (This makes unraveling the graphics easier.)

STEP 5



Attach telescopic pole to the clamp bar. Adjust pole to desired height.

CONTENTS SUPPLIED

- (A) HARDWARE STAND
- (B) TELESCOPIC SUPPORT POLE
- (C) CARRY CASE

(A)



(B)



(C)

