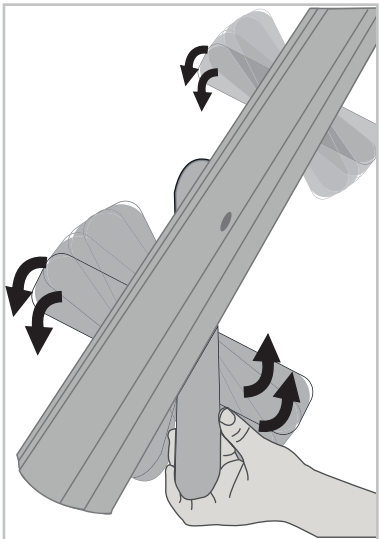


ECONOMY RETRACTABLE

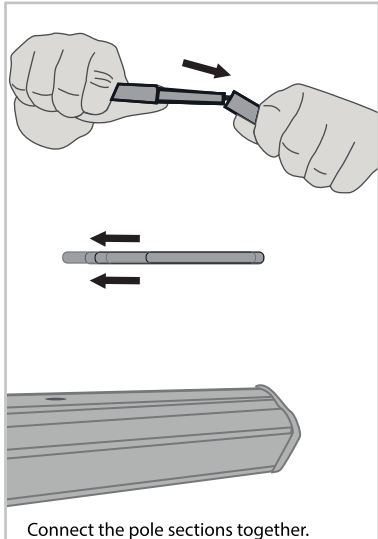
Assembly Instructions

STEP 1



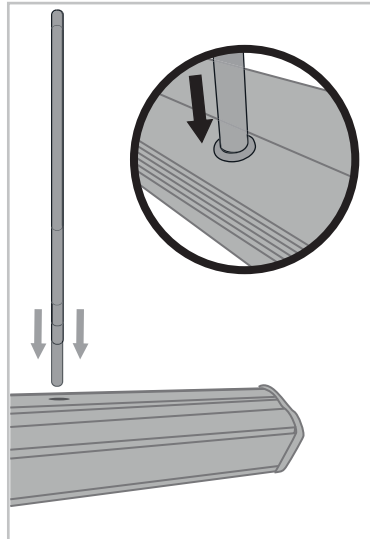
Rotate the stabilizing feet 90° and remove the pole from the banner stand

STEP 2



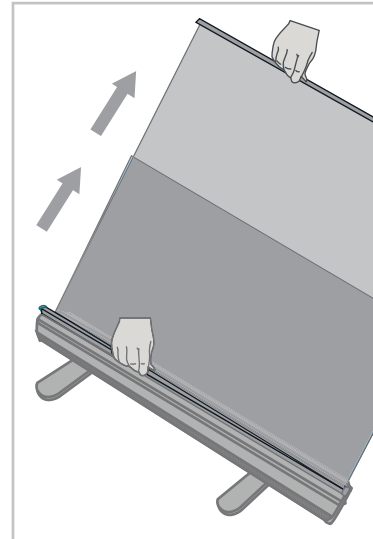
Connect the pole sections together. (The hooked end corresponds to the top and the round end corresponds to the bottom base.)

STEP 3



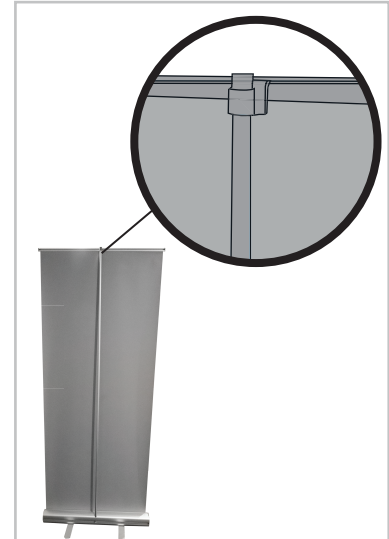
Insert pole into the hole on the base

STEP 4



Unravel the banner out of the base by tilting the unit backwards

STEP 5

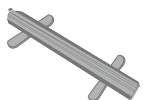


Attach telescopic pole to the clamp bar. Adjust pole to desired height.

CONTENTS SUPPLIED

- (A) HARDWARE STAND
- (B) TELESCOPIC SUPPORT POLE
- (C) SILVER TRAVEL BAG

(A)



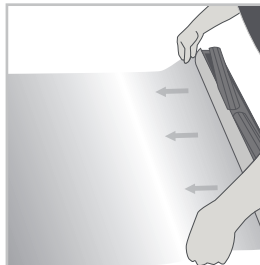
(B)



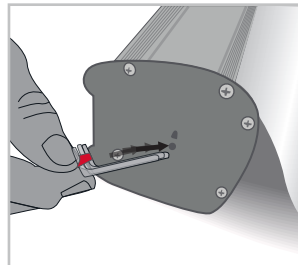
(C)



REPLACING NEW GRAPHIC



Pull roll until the Leader Sheet is shown



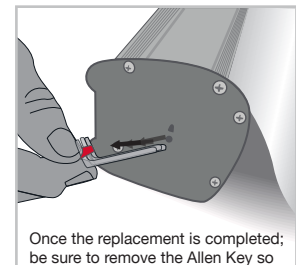
Insert the Allen Key to Release the panel
**This will lock the leader sheet and panel from retracting*



Peel away the panel from the adhesive Leader Sheet



Place the new panel over the adhesive Leader Sheet.
** We recommend adding 1" clear tape over the two panels*



Once the replacement is completed; be sure to remove the Allen Key so the Leader Sheet and graphic retracts into the hardware.
** Be Sure to SLOWLY guide the leader sheet/graphic*